

TRUCK-MOUNTED CONCRETE PUMP SYG5210THB 25C-10(SZ-EU)



Energy-saving

- Pump efficiency is increased up to 25% while fuel consumption is decreased by up to 10%.



Safety

- Our truck mounted concrete pump exemplifies Sany's precise, rigorous manufacturing philosophy and uncompromising focus on safety.



Highly Wear Resistant Parts

- The highly wear resistant parts improve efficiency and reduce down time.



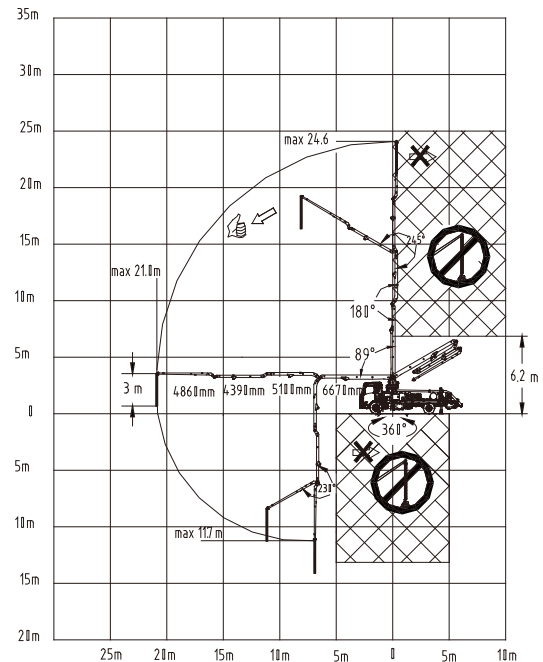
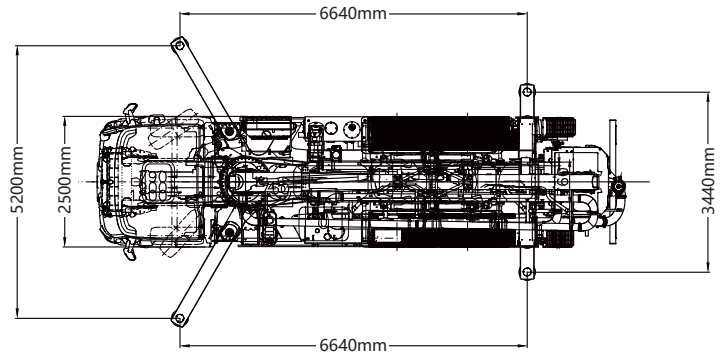
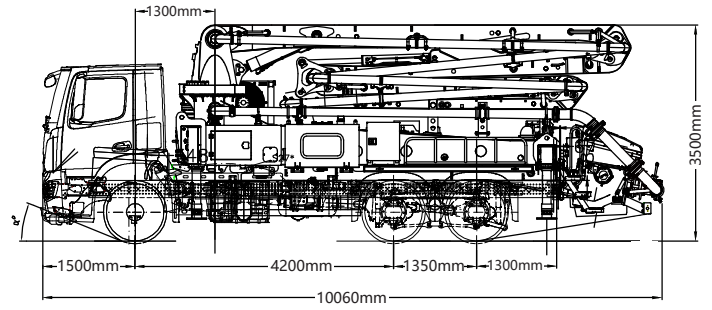
Self-diagnosis Technology

- Continually monitors more than 200 aspects of the system during operation. Faults are displayed on the monitor. Review of the detected faults can reduce troubleshooting time by 70%.



TECHNICAL SPECIFICATION

Model		Unit	SYG5210THB 25C-10(SZ-EU)	
X-unit Spe.	Length	mm	8000	
	Width	mm	2490	
	Height	mm	3160	
	Dead weight	kg	12200	
Boom & Outrigger Specification	Vertical reach	m	24.7	
	Horizontal reach	m	21.1	
	Reach depth	m	11.7	
	Unfolded reach	m	6.2	
	1st Section	Length	mm	6670
		Articulation		90°
	2nd Section	Length	mm	5100
		Articulation		180°
	3rd Section	Length	mm	4390
		Articulation		245°
	4th Section	Length	mm	4955
		Articulation		230°
Rotation			±360°	
Front outrigger spread L-R	mm		5200	
Rear outrigger spread L-R	mm		3440	
Pumping System Specification	Output	m ³ /h	137	
	Pressure	MPa	6	
	Max. strokes per minute	times/min	34	
	Delivery cylinder diameter	mm	230	
	Stroke length	mm	1600	
	Hydraulic system		Open	
	Hydraulic system oil pressure	MPa	32	
	Oil tank capacity	L	320	
	Water tank capacity	L	300	
	Pipeline size	mm	125	
Chassis Specification	End hose length	m	3	
	End hose diameter	mm	125	
	Chassis brand		/	
	Chassis model		/	
	Engine type		/	
	Engine maximum net power	kW/rpm	/	
	Emission standard		/	
	Capacity of fuel tank	L	/	
	Displacement	L	/	
	Max. speed	km/h	/	



www.sanyglobal.com

SANY Industrial Park, Economic and Technological Development Zone,
Changsha, Hunan, China, 410100
Sales Hotline
Tel: 0086-731-85835199
Mail: sales@sanyglobal.com

Service Hotline
Tel: 0086-4006098318
Mail: CRD@sany.com.cn

The product configuration (including technical parameters) is subject to change and the delivered actual machine without notice.