

QUALITY CHANGES THE WORLD

PRODUCT  
SPECIFICATIONS



# STC500T5

SANY TRUCK CRANE  
50T LIFTING CAPACITY

50T汽车起重机



-  50 t
-  44.5 m
-  2058 kN·m

[www.sanyglobal.com](http://www.sanyglobal.com)

LEFT HAND DRIVE AVAILABLE  
左舵可售

V1.9

# SANY TRUCK CRANE STC500T5 / 50T LIFTING CAPACITY



- 5 节超长主臂,采用高强度钢板,大截面设计,抗弯能力全面加强。
- Five section boom welded by high tensile steel plate. Larger cross section structure reduces bending impact.



## 全方位保护,安全无忧 All-round safety system

- 力矩限制器 :采用分析力学方法,建立了基于吊重力学模型的力矩限制器计算系统,全方位保护吊载作业,超载作业时,系统自动报警提示,为操纵作业提供安全保障;
- 液压系统配置液压平衡阀、溢流阀、双向液压锁等元件,实现液压系统稳定可靠;
- 主、副卷扬配置三圈保护器,防止钢丝绳过放;
- 主、副臂臂端配置高度限位器,防止钢丝绳过卷;
- 配置长度角度传感器、压力传感器,实时显示起重机作业状态,自动切断危险动作,蜂鸣报警。
- Self-developed LMI, auto-warning for overload.
- Hydraulic balance valve, relief valve, two-way pilot-controlled valve are reasonably placed to ensure system reliability.
- Three-circle protector at main and aux. winches, preventing wire rope from over-hoist down.
- Height limit switch at head of boom and fixed jib, preventing wire rope from over-hoist up.
- Length & angle sensor and pressure sensor delivers real-time monitoring. Motion of risks are cut off automatically with buzzer warning.



## 操纵室人性化设计 More user friendly cab

- 全新造型仪表盘、扶手箱,增加轿车配置“桃木纹”,简洁、实用、耐看;
- 内部空间优化空调立体出风,全景天窗,舒适作业,视野开阔;
- 两种模式,“节能”和“强劲”一键切换。
- Crane motions controlled electronically.
- Newly shaped instrument panel and armrest box, adopting sedan-class "peach wood grain", simple yet eye pleasing.
- Panoramic skylight with rollable sunshade, wide adjustable seat, 3D airflow AC, enhancing comfort.
- One button switch of eco and strong modes.





- 操纵室最大变位角度 20°, 长臂段、大角度工作颈椎无忧。
- 0~20° tiltable cab, relieving fatigue in long time operation.



- 固配 4.8t, 无活动配重, 轻松转场。
- Counterweight – balance of performance and convenience Fixed CW 4.8t, no movable unit.



- 整车紧凑设计, 预留出充足的走台板空间和储物空间。
- With overall compact design, the crane still has plenty of place for access and storage.



- 45° 全新薄膜按键面板, 触手可及, 操作便捷。
- 45° tilted membrane buttons, easy to view and touch.



### 双极支腿, 机动灵活 Flexible two-stage outrigger

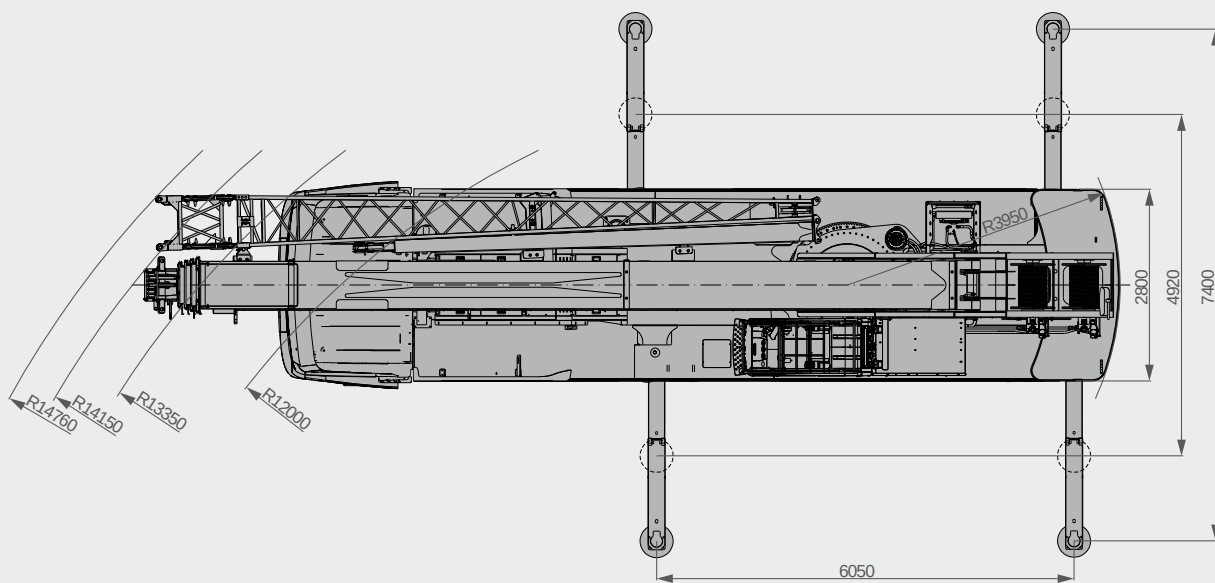
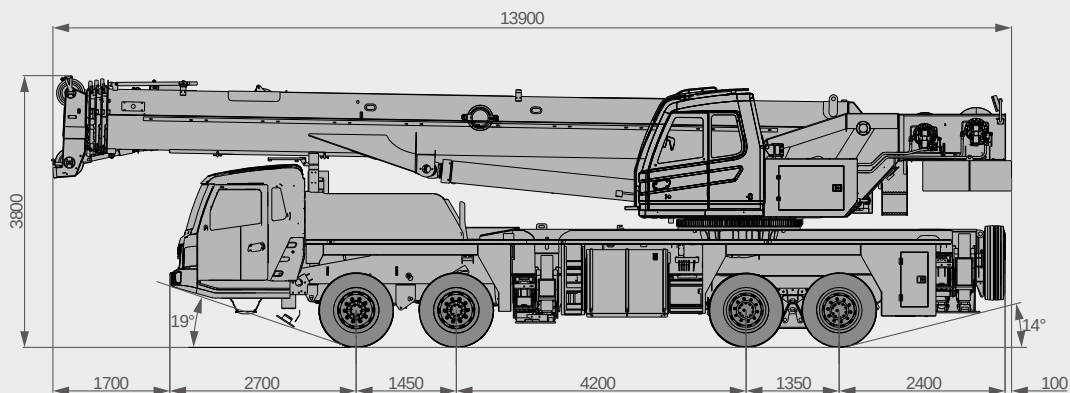
- 低置前支腿, 整车更稳定, 传动抽布置更合理;
- 全新推出的支腿半伸系统, 对工地的适应性更高。
- Front outriggers beams are positioned lower for more stable support and more reasonable arrangement of transmission shaft.
- Newly developed half extension mechanism makes the crane more adaptable to work at constricted area.



- G 类底盘, 通过性能好, 适应多种工地行驶, 提供更舒适的驾乘体验。
- G-class chassis, adaptable for multiple road conditions. The carrier empowers the whole machine with more possibilities for operation in various jobsites, making traveling a more comfortable experience for the driver.



# 整机尺寸图 Overall Dimensions



# 主要性能参数 Technical Specification

类型 CATEGORY	项目 ITEM	单位 UNIT	参数 VALUE	
额定起重量 CAPACITY	最大起重量 Max. lifting capacity	t	50	
重量参数 WEIGHT	整机总质量 Gross weight	kg	42000	
发动机参数 POWER	发动机型号 (排放标准) Engine model	-	东风康明斯 ISLe34030(欧 III) DF CUMMINS ISLe34030 (Euro III)	
	发动机最大功率 Max. engine power	kW/rpm	250/2100	
	发动机最大输出扭矩 Max. engine torque	N·m/rpm	1425/1100~1400	
尺寸参数 DIMENSIONS	整机全长 Overall length	mm	13900	
	整机全宽 Overall width	mm	2800	
	整机全高 Overall height	mm	3800	
行驶参数 TRAVEL	最高行驶速度 Max. travel speed	km/h	85	
	转弯半径 Steering radius	最小转弯半径 Min.steering radius	m	12
		臂头最小转弯半径 Min.steering radius of boom tip	m	14.8
	车轮模式 Wheel formula	-	8×4	
	最小离地间隙 Min.ground clearance	mm	240	
	接近角 Approach angle	°	≥19	
	离去角 Departure angle	°	≥14	
	最大爬坡度 Max.gradeability	%	45	
	每 100 公里油耗 Fuel consumption per 100km	L	≤40	
	主要性能参数 MAIN PERFORMANCE	使用温度区间 Working temperature range	°C	-20~45
最小额定幅度 Min.rated lifting radius		m	3	
转台尾部回转半径 Tail slewing radius		m	3.95	
臂节数 Boom sections (Qty.)		-	5	
臂形状 Boom shape		-	U 形 U shape	
最大起重力矩 Max.lifting moment		基本臂 Basic boom	kN·m	2058
		全伸主臂 Full-extension boom	kN·m	1097.6
		全伸主臂 + 副臂 Full-extension boom + jib	kN·m	428
臂长 Boom length		基本臂 Basic boom	m	11.55
		全伸主臂 Full-extension boom	m	44.5
		全伸主臂 + 副臂 Full-extension boom + jib	m	60.5
最大起重高度 Max.lifting height		基本臂 Basic boom	m	12
		全伸主臂 Full-extension boom	m	45
		全伸主臂 + 副臂 Full-extension boom + jib	m	61
支腿跨距(纵 × 横) Outrigger span (Longitudinal × Transverse)		m	6.05 × 7.4	
副臂安装角度 Jib offset	°	0、15、30		
空调 AIRCONDITIONER	上车空调 In operator's cab	-	制热、制冷 Heating & Cooling	
	下车空调 In driver's cab	-	制热、制冷 Heating & Cooling	

# 主要参数表 Technical Parameters



轴荷 Axle Load

轴 Axle	1	2	3	4	总重量 Gross weight
轴荷 Axle load /t	8	8	13	13	42



吊钩 Hook

额定载重 Rated load/t	滑轮数量 Number of sheaves	倍率 Rope rate	吊钩重量 Hook weight /kg
60	6	12	550
6	/	1	120



主要动作参数 Operations

项目 Item	单绳速度 (空载) Max.single rope lifting speed (empty load)	钢丝绳直径 / 长度 Rope diameter/length	最大单绳拉力 Max. single line pull
主卷扬 Main winch	135m/min	18mm/215m	5t
副卷扬 Auxiliary winch	125m/min	18mm/135m	5t
回转速度 Slewing speed		0~2r/min	
主臂起落幅时间 Full luffing up/ down time of boom		70s/90s	
主臂伸缩时间 Full extension/retraction time of boom		90s/100s	
垂直支腿 Outrigger jack	收 Retraction	35s	
	放 Extension	35s	
水平支腿 Outrigger beam	收 Retraction	25s	
	放 Extension	25s	

# 整机介绍 Crane Introduction

Carrier 下车

## 驾驶室 Driver's cab

- 自主开发全宽钢整体式钢结构驾驶室，采用人体工程学原理设计，减震性和封闭性优良。
- 配备气动悬置的驾驶座与副驾驶座、三点安全带、可调整式的转向盘、大视野后视镜、配有头枕的舒适驾驶椅、防雾扇、冷暖空调、立体收音机，倒车雷达等，控制仪器和仪表齐全。多功能娱乐显示屏，集成倒车影像，更加舒适、安全、人性化。
- Self-developed integral steel structure cab in ergonomic design, featuring vibration and external noise isolation.
- The cab is furnished in concept of convenience, safety, and comfort with pneumatic seats, safety belt, adjustable steering wheel, large rearview mirror, seat with headrest, demister, HVAC, stereo radio, PDC, full set of controls and panels.

## 车架 Carrier frame

- 三一设计、制造，由细晶粒高强度钢板焊接而成的防扭转箱形结构，承载能力强。
- Designed and manufactured by Sany, the torsion resistant box-type structure is welded by fine grain high-strength steel, featuring increased bearing capacity.

## 发动机 Engine

- 型式：东风康明斯，直列六缸、水冷却、增压中冷、柴油发动机。
- 排放标准：欧 III。
- 燃料箱有效容积：350L。
- Model: DF CUMMINS Inline six-cylinder diesel engine with watercooler and inter cooler.
- Emission standard: Euro III.
- Fuel reservoir capacity: 350L.

## 变速箱 Transmission

- 手动带同步器变速箱，9 挡，速比范围大，既可满足低速场地爬坡行驶，又可满足高速行驶。
- 9-speed manual transmission with synchronizer, large speed ratio range, adaptable to slope climbing and high-speed traveling.

## 传动轴 Transmission shaft

- 优化的传动轴布置，传动轴传动平稳、可靠。最优化力传输，采用端面齿联结传动轴，传递扭矩大。
- Optimized layout, higher torque output via contrate gear connecting transmission shaft cardan.

## 车桥 Axle

- 3、4 轴为驱动轴，1、2 轴为转向轴，驱动轴内置轴间和轮间差速器锁，使车辆有更强的脱困能力；双级减速，桥包体积更小，使车辆有更好的通过性；冲焊桥壳工艺，承载能力更强。
- Axles 1, 2 are steered; axles 3, 4 are drive axles with built-in differential lock, coupled with two-stage reducer and smaller size axle bags, realizing tougher ability to rough-terrain travelling. Press welding process strengthens the axle cover.

## 悬挂 Suspension system

- 一二桥采用钢板弹簧悬挂系统，三四桥采用橡胶悬挂系统，悬挂系统经过超过 10 万次的疲劳试验，保证强度的同时兼顾乘坐的舒适性。
- Front suspension is realized by leaf spring, and rear rubber. With upgraded ride comfort, the suspension system is verified by 100,000 cycling fatigue tests, hence durability is out of question.

## 转向系统 Steering

- 液压助力机械转向，采用大流量转向器 + 转向助力油缸，大大减小转向阻力，转向更轻便。
- Mechanical steering with hydro booster. Turn your steering wheel more easily.

## 轮胎 Tires

- 子午线轮胎，315/80R22.5 钢丝真空轮胎，承载能力大，耐用。
- Radial tires sized 315/80R22.5, strong bearing capacity and durability.

## 车轮模式 Wheel formula

- 8×4×4。

## 支腿 Outrigger

- H 型支腿 4 点支撑，易操作、稳定性强；采用细晶粒高强度钢板材料，一、二级支腿全液压横向伸缩。支腿垂直油缸采用双向液压锁进行安全保护。
- H-type layout, four point support, easy to operate, outrigger beam hydraulically telescoping, jack telescoping protected by two-way pilot controlled valve.

## 制动系统 Brake

- 所有车轮均用空气伺服制动器，双回路制动系统，发动机带排气制动。
- 行车制动采用双回路制动系统，所有车轮均用空气伺服制动器，前桥采用楔式制动器 + 双气室，制动能力更强。
- 驻车制动是通过气室内弹簧作用在第三、四桥上。
- 应急制动阀由蓄能器储能断气制动兼做应急制动。
- 辅助制动为排气制动，保证在下长坡时的制动安全，保证行车的安全可靠。
- Air servo functions on all wheels with diagonally split system.
- Service brake: air servo, double circuit split; wedge brake and double air chambers functioning on front axles.
- Parking brake: functioning at axles 3 and 4 by spring in air chamber.
- Emergency brake: performed by pressure reservoir.
- Assisting brake: engine exhaust brake, safety assured when driving down long slopes.

## 电气系统 Electrical system

- 2×12V 免维护蓄电池，配有机械式电源总开关，可手动切断整车电源；总线控制系统，可实现上下车信息交互。
- 2\*12V maintenance-free battery with a mechanical power switch, the overall power can be cut off manually. CAN instrument, data integration between superstructure and chassis.

# 整机介绍 Crane Introduction

## 操纵室 Operator's cab

- 三一自主研发可变位操纵室，基于人体工学设计，安全玻璃，耐腐蚀钢板，配置软化内饰、超大内部空间、全景式天窗、可调式座椅等人性化设计，配有空调、电动雨刮器，操作更舒适、轻松；配置力矩限制器显示屏，实现主控台与操作显示系统有机结合，使吊装作业的全部工况数据一目了然。
- The cab is designed in ergonomic concept with deep consideration of convenience, safety, and comfort. Corrosion resistant bodywork with softened interior trim and extra large indoor space, the skylight, adjustable seat, air conditioning, electric windshield wiper, and LMI touch screen make working on the crane more comfortable.

## 伸缩臂架系统 Boom & telescoping system

- U型臂架结构采用抗扭曲设计，采用进口高强度钢板制作，具有极高的稳定性，伸缩采用油缸加绳排结构。
- Bending resistant U shape boom welded by high tensile steel plate features high stability. Telescoping is realized by two cylinders with rope arranger.

## 起升系统 Hoist

- 卷扬平衡阀与独特的防溜钩技术完美结合，重物起落平稳；常闭式卷扬制动器，并设置卷扬平衡阀，可防止落钩失速；
- 主卷扬采用电比例变量马达，卷扬微动性、平稳性好，能实现无级变速。
- Hoist smoothness is guaranteed by the perfect combo of winch balance valve and exclusive anti-slip tech.
- Hook falling out of control is prevented by normally closed type winch brake and winch balance valve.
- Main hoist is driven by electro proportional variable motor, stepless speed regulation available.

## 变幅系统 Luffing system

- 自重落幅，更加节能。采用单根油缸，前铰支布置，变幅更省力且起重臂受力得到改善；采用电比例控制平衡阀。变幅角度： $-2^{\circ} \sim 80^{\circ}$ 。
- Passive luffing down, reducing energy cost. One luffing cylinder with hinge positioned to the front, making motion easier and boom stress optimized. Luffing angle:  $-2^{\circ} \sim 80^{\circ}$  .

## 液压系统 Hydraulics

- 采用全新开发的双泵智能流量系统，变幅独立，伸臂合流，复合动作操控性提升 50% 以上；
- 采用进口负载敏感变量柱塞泵，能实时调节油泵排量，实现高精度的流量控制，极大的降低能量损耗；
- 电控主阀具备流量补偿、负载反馈控制功能，能在各种工况下，轻松实现单个动作和组合动作的稳定控制。
- The all new smart double pump flow system lifts maneuverability of combined motions by 50%. The boom can luff at shunting mode and telescope at confluence mode.
- Load sensing variable piston pump can control flow in high precision, reducing energy loss significantly.
- Electrically controlled valve functions flow compensation and load sensing control, securing stable control over single and combined motions.

## 回转系统 Slewing

- $360^{\circ}$  回转，采用电控比例调速控制，动作稳定，系统可靠；独特的回转缓冲设计，制动更平稳。
- $360^{\circ}$  slewing. Electric control. The crane slewing brakes smoothly via balance design.

## 控制系统 Control system

- 高精度力矩显示，多维度安全检测，全方位安全保障。
- 控制器、显示器、仪表、I/O 模块、传感器等采用 CAN 总线组网，高速智能。
- 智能控制器，BCM 控制模块、故障自诊断系统，作业更省心。
- 专用电瓶仓，整车电量智能分配和控制。
- 树根互联，智能监控主机运动轨迹、吊载工况，统计分析及大数据管理。
- Safety guarantee: SANY, Load Moment Indicator providing all-round protection.
- Fault diagnosis: BCM controller for fault detection and easy maintenance.
- Colored display & smart panel & IO power distribution: user friendly.
- Specially developed battery set: smarter electricity distribution.
- T-box: cloud fleet management regarding machine movement, load conditions, statistics and big data analysis.

## 配重 Counterweight

- 固定配重 4.8t。
- Fixed CW 4.8t.

## 安全装置 Safety equipment

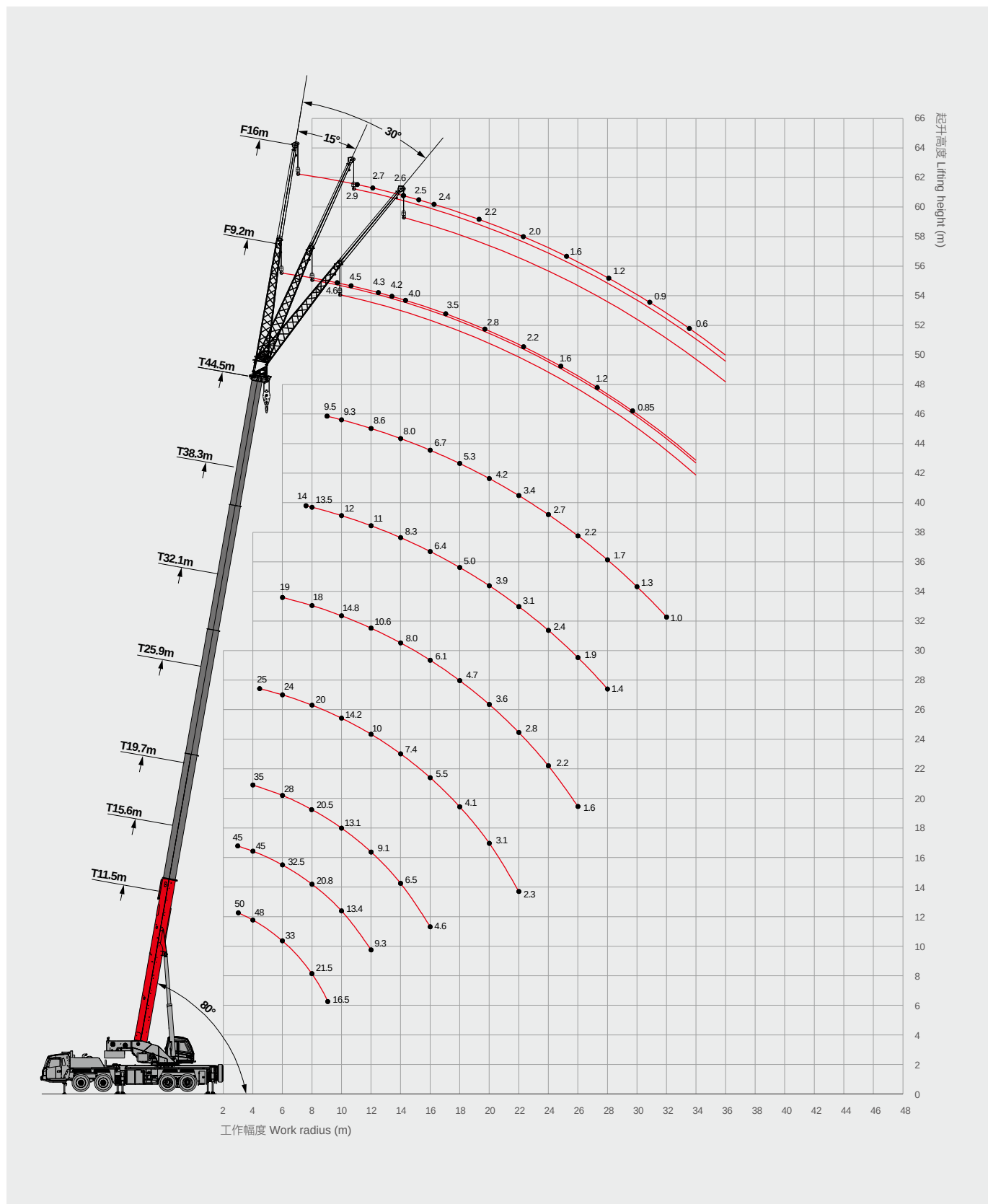
- 采用分析力学方法，建立了基于吊重力学模型的力矩限制器计算系统，通过在线空载标定，吊重精度达到  $\pm 3\%$ ；
- 液压系统配置液压平衡阀、溢流阀、双向液压锁等元件，实现液压系统稳定可靠；
- 主、塔臂卷扬配置三圈保护器，防止钢丝绳过放；
- 主、副臂臂端配置高度限位器，防止钢丝绳过卷；
- 配置长度角度传感器、压力传感器，实时显示起重作业状态，自动切断危险动作，蜂鸣报警。
- Self-developed LMI.
- Hydraulic balance valve, relief valve, two-way pilot-controlled valve.
- Three-circle protector at main and aux. winches, preventing wire rope from over-hoist down.
- Height limit switch at head of boom and fixed jib, preventing wire rope from over-hoist up.
- An all-round safety system covers load moment (LMI), hydraulics, winch, and wire rope. Motion of risks are cut off automatically with buzzer warning.

## 选配 Optional equipment at extra fees

- 灭火器支架
- 排气管火星灭火器
- 航标灯
- 回转蜂鸣器
- 支腿垫板
- 特殊涂装
- 其他选配视需求定
- Fire extinguisher bracket
- Anti-sparkling device
- Navigation light
- Slewing buzzer
- Outtrigger pad
- Customized painting
- Other equipment available upon request



# 起升高度 Operating Range



# 主臂性能表 Load Chart-Telescopic Boom



Unit: kg

幅度 Radius (m)	11.5m	15.6m	19.7m	25.9m	32.1m	38.3m	44.5m	17.7m	23.9m	30.1m	36.3m	21.8m	28m	34.2m	40.4m	幅度 Radius (m)
3	50000	45000						25000								3
3.5	50000	45000						25000								3.5
4	48000	45000	35000					25000				25000				4
4.5	45000	43000	33000	25000				24000	23000			25000				4.5
5	42000	40000	32000	25000				24000	23000			24500	22000			5
5.5	37000	36000	30000	25000	19000			24000	22500	16000		24500	22000			5.5
6	33000	32500	28000	24000	19000			23000	22500	15500		24000	22000			6
7	27500	27400	25000	22000	19000	14000		23000	20500	15000	10500	24000	22000	15000		7
8	21500	20800	20500	20000	18000	13500		22000	18500	13500	10500	22000	21000	14500	10000	8
9	16500	16500	16200	17300	16500	13000	9500	18200	17000	12000	10300	17500	18000	14000	9500	9
10		13400	13100	14200	14800	12000	9300	15000	15000	11500	9500	14000	15000	13000	9000	10
12		9300	9100	10000	10600	11000	8600	10800	10500	9500	8500	10000	10500	11000	8300	12
14			6500	7400	8000	8300	8000	8200	8600	8100	7500	7700	8300	8500	7600	14
16			4600	5500	6100	6400	6700		6800	7100	6500	5800	6400	6500	6500	16
18				4100	4700	5000	5300		5400	5700	5500	4400	5000	5300	5500	18
20				3100	3600	3900	4200		4300	4600	4600		3900	4300	4500	20
22				2300	2800	3100	3400			3800	4000		3100	3400	3600	22
24					2200	2400	2700			3100	3300		2500	2700	2900	24
26					1600	1900	2200			2600	2800			2200	2400	26
28						1400	1700					2200		1700	1900	28
30							1300					1800		1400	1500	30
32							1000					1500			1200	32
<b>伸缩模式 Telescoping status</b>																
一号缸 Cylinder I	0%	50%	100%	100%	100%	100%	100%	0%	0%	0%	0%	50%	50%	50%	50%	一号缸 Cylinder I
二号缸 Cylinder II	0%	0%	0%	25%	50%	75%	100%	25%	50%	75%	100%	25%	50%	75%	100%	二号缸 Cylinder II
钢丝绳倍率 Rope rate	12	10	8	6	5	4	3	6	5	4	3	6	5	4	3	钢丝绳倍率 Rope rate

备注:

风速 ≤32km/h, 安全风速。

风速 33~47km/h, 允许按额载 40% 作业。

风速 ≥48km/h, 禁止起臂。

Remark:

Wind speed ≤32km/h, safe work.

Wind speed 33~47km/h, load shall be reduced to 40% of rated capacity.

Wind speed ≥48km/h, boom is not allowed to luff up.

# 主臂性能表 Load Chart-Telescopic Boom



Unit: kg

幅度 Radius (m)	11.5m	15.6m	19.7m	25.9m	32.1m	38.3m	44.5m	17.7m	23.9m	30.1m	36.3m	21.8m	28m	34.2m	40.4m	幅度 Radius (m)
3	50000	45000														3
3.5	50000	45000						25000								3.5
4	44000	43000	35000					25000								4
4.5	32000	31500	31200					24000	23000			25000				4.5
5	25000	24500	24300	25000				24000	23000			24500				5
5.5	20500	19800	19600	20800				21700	22500			21000	22000			5.5
6	17000	16500	16300	17300	18000			18200	18800	15500		17600	18300			6
7	12500	12000	11800	12700	13300	13700		13500	14000	14400	10500	13000	13600	14000		7
8	9500	9100	8900	9800	10300	10700		10500	11000	11300	10500	10000	10600	11000		8
9	7500	7100	6900	7700	8200	8600	8900	8400	8900	9200	9400	8000	8500	8900	9100	9
10		5600	5400	6200	6700	7000	7300	6900	7300	7600	7900	6500	7000	7300	7600	10
12		3600	3400	4200	4600	4900	5200	4800	5200	5500	5700	4400	4900	5200	5400	12
14			2100	2800	3200	3500	3800	3400	3800	4100	4300	3000	3500	3800	4000	14
16			1200	1900	2300	2500	2800		2900	3100	3300	2100	2500	2800	3000	16
18				1200	1600	1800	2100		2100	2400	2600	1400	1800	2100	2300	18
20						1300	1500		1600	1800	2000		1300	1500	1700	20
22							1100			1400	1500			1100	1300	22
24											1200					24
<b>伸缩模式 Telescoping status</b>																
一号缸 Cylinder I	0%	50%	100%	100%	100%	100%	100%	0%	0%	0%	0%	50%	50%	50%	50%	一号缸 Cylinder I
二号缸 Cylinder II	0%	0%	0%	25%	50%	75%	100%	25%	50%	75%	100%	25%	50%	75%	100%	二号缸 Cylinder II
钢丝绳倍率 Rope rate	12	10	8	6	5	4	3	6	5	4	3	6	5	4	3	钢丝绳倍率 Rope rate

备注:

风速 ≤32km/h, 安全风速。

风速 33~47km/h, 允许按额载 40% 作业。

风速 ≥48km/h, 禁止起臂。

Remark:

Wind speed ≤32km/h, safe work.

Wind speed 33~47km/h, load shall be reduced to 40% of rated capacity.

Wind speed ≥48km/h, boom is not allowed to luff up.

副臂性能表 **Load Chart-Jib**

Unit: kg

主臂 + 副臂长度 Telescopic boom + jib length

主臂仰角 Boom angle(°)	44.5m+9.2m			44.5m+16m			主臂仰角 Boom angle(°)
	0°	15°	30°	0°	15°	30°	
78	4600	3300	2500	2900	1900	1400	78
77	4500	3200	2500	2700	1800	1350	77
75	4300	3100	2500	2600	1700	1300	75
74	4200	3000	2400	2500	1700	1250	74
73	4000	2800	2300	2400	1600	1200	73
70	3500	2700	2200	2200	1500	1150	70
67	2800	2500	2000	2000	1400	1150	67
64	2200	1900	1800	1600	1300	1100	64
61	1600	1500	1300	1200	900	800	61
58	1200	1000	950	900	700	600	58
55	850	750	650	600	550	500	55

## 备注:

- 起重性能表中给定数值是在平整坚固的地面上，整机调平状态下起重机的额定起重量。
- 起重性能表中工作幅度是指吊载后的实际幅度。
- 起重性能表中额定起重量包括起重钩（主起重钩重 551kg，副起重钩重 100kg）和吊具的重量。
- 打开好第五支腿时，表中数值适用于全方位（360°）作业。
- 使用臂尖滑轮时额定起重量不超过 5000kg。若副起重臂处于展开状态，主臂起吊的额定起重量应减少 2300kg。
- 如果实际臂长和幅度介于两个数值之间时，取较长的臂长及较大的幅度所决定的额定起重量进行起吊作业。

## Remark:

- Value listed are the max. capacity when the crane is in a level condition on solid ground or surface;
- Radius refers to actual radius with boom deflection considered;
- Value above are calculated with hooks and lifting slings considered (552kg main hook block, 100kg aux. hook block);
- When the fifth outrigger is landed in position, value listed are applicable for 360 degree operation;
- Rated lifting performance on boom point sheave equals 5000kg; boom load capacity shall be 2300kg less than value given when jib unfolds;
- Load value is given according to the larger radius or boom length value when the actual radius or boom length falls between two numbers above.





## SANY GROUP CRANE BU

SANY Mobile Crane Industrial Park, No.168 Jinzhou Avenue, Jinzhou Development Zone, Changsha City,  
Hunan Province, P.R. China Zip 410600  
Consulting [sanycrane@sanygroup.com](mailto:sanycrane@sanygroup.com) (Crane BU) / [crd@sany.com.cn](mailto:crd@sany.com.cn) (IHQ)  
After-sales Service 0086-400 6098 318

Reminder:

Any change in the technical parameters and configuration due to product modification or upgrade may occur without prior notice. The machine in the picture may include additional equipment. This brochure is for reference only, and goods in kind shall prevail.

Copyright at SANY. No part of this brochure may be copied or used for any purpose without written approval from SANY.

© Edited in November 2022

### 三一集团起重事业部

中国湖南长沙金洲开发区金洲大道 168 号 三一汽车起重机产业园 邮编: 410600  
咨询: [sanycrane@sanygroup.com](mailto:sanycrane@sanygroup.com) (重起事业部) / [crd@sany.com.cn](mailto:crd@sany.com.cn) (国际总部)  
海外售后服务: 0086-400 6098 318

温馨提示:

由于技术不断更新, 技术参数及配置如有更改, 恕不另行通知。图中机器可能包括附加设备, 本画册仅供参考, 以实物为准。  
版权为三一所有, 未经三一书面许可, 本画册任何内容不得被复制用于任何目的。

© 2022 年 11 月版

