

QUALITY CHANGES THE WORLD

PRODUCT
SPECIFICATIONS



STC450C5

SANY TRUCK CRANE
45T LIFTING CAPACITY

45T汽车起重机



45 t



44 m



1600 kN·m

www.sanyglobal.com

LHD AVAILABLE
左舵可售

V1.1



Excellent load capacity

优越起重性能

44m full-extension large U-shape section boom, 16m jib, max. lifting height 60.5m, max. lifting moment of basic boom 1600kN·m and max. lifting capacity of full extension boom 8.4t, high reliability.

大截面 U 型主臂, 主臂全长 44m, 副臂全长 16m, 起升高度最高 60.5m, 基本臂最大起重力矩 1600kN·m, 全伸主臂最大吊重 8.4t, 可靠性高。



Efficient operation and stronger performance

高效作业、性能更强

Safety and reliability: Using 1500 slewing bearing, the carrying capacity is increased by 30%, providing safer and more reliable operation.

Efficient operation: Adopting quantitative piston motor, max. winch speed 140m/min.

Excellent performance: 6t fixed counterweight+2.5t movable counterweight.

安全可靠 : 采用 1500 回转支承, 承载能力提升 30%, 作业更安全、更可靠。

作业高效 : 采用定量柱塞卷扬马达, 最大卷扬速度高达 140m/min。

性能卓越 : 6t 固定配重 + 2.5t 副配重。

SANY TRUCK CRANE STC450C5 / 45T LIFTING CAPACITY



Strong bearing chassis and frame

高强底盘、高强车架

WP9H336E50 engine, FAST 9-speed manual transmission with synchronizer, two stage reduction axle, rubber suspension.

Max. travel speed 90km/h, max. gradeability 45%, higher than competitor products.

Innovative rectangular structure frame, through 20,000 times of high strength test, bending and torsion resistance is 5% better than competing products, double-stage reinforced low outrigger layout, span $6.05 \times 7.4\text{m}$, standard jack cylinder, more stable lifting.

G type chassis, min. ground clearance 260mm, strong off-road trafficability.

采用潍柴 WP9H336E50 发动机、法士特九挡变速箱、双减车桥、橡胶悬架。

最高车速可达 90km/h; 最大爬坡度 45%, 高于友商。

采用创新矩形结构车架, 抗弯抗扭性能优于友商 5%, 通过 2 万次高强度测试, 双级加强型低支腿布置, 支腿跨距 $6.05 \times 7.4\text{m}$, 标配垂直支腿实心大油缸, 吊载更稳定。

G 类车底盘, 离地间隙 260mm, 越野通过能力强。



Double pump intelligent flow distribution system

双主泵大流量智能分配系统

Dual piston main pump, piston winch motor, highly efficient at high speed, stable at low speed.

The new flow distribution system can switch between split and confluence smoothly, improve the maneuverability of combined operation, meet the needs of precision lifting, and improve the stability by 50%.

Integrated slewing buffer control: Sequential braking and free swing. Smooth slewing start & control with excellent inching performance.

双联柱塞主泵, 柱塞卷扬马达, 高速高效, 低速平稳。

新型流量分配系统, 分/合流动态切换平稳, 提升组合动作操控性, 满足精密吊装需求, 平稳性能提升 50%。

集成回转缓冲控制: 顺序制动及自由滑转技术, 回转、启停柔和平稳。





Smart control system

智能控制系统

CAN BUS system: Controllers, displays, meters, I/O modules, sensors, etc. are integrated in CAN Bus networking, fast-responsive.

Fault diagnosis system: Operating device with smart controller, body with BCM module, accurately locating the fault point, making the maintenance convenient.

Smart power distribution and control with battery pack.

7" HD color display and silica gel panel, to further improve man-machine interaction.

SANY load moment indicator system provides protection for overloading, over release, over winding.

智能总线网络系统：整车控制器、显示器、显示仪表、I/O 模块、主要传感器等采用 CAN 总线组网，高速信息传输。

智能故障诊断系统：操作装置带智能控制器、车身带 BCM 控制模块，拥有故障诊断系统，能精准定位故障点，方便检修。

整车智能电量分配和控制，配备专用电瓶仓。

高清 7" 彩色显示屏、硅胶面板操控，进一步提升人机工程。

三一自主产权力矩 limiter 系统，具备超载、过放、过卷等全面的安全保护。

SANY TRUCK CRANE STC450C5 / 45T LIFTING CAPACITY

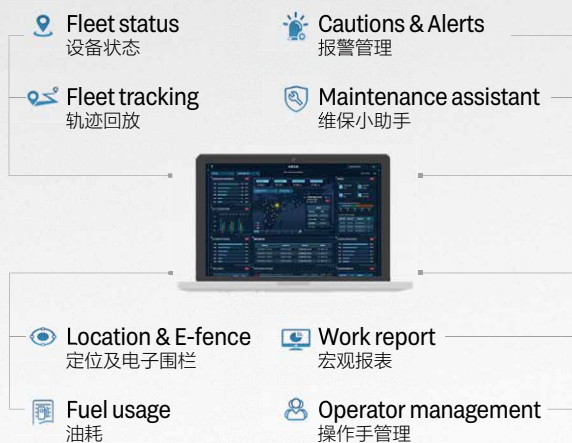




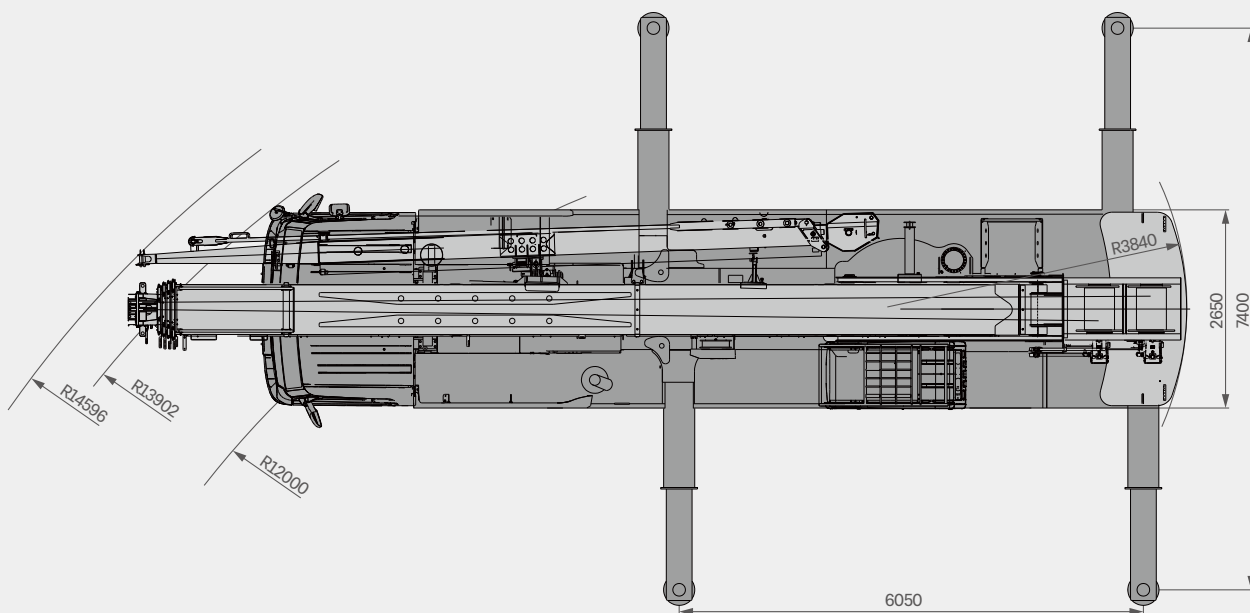
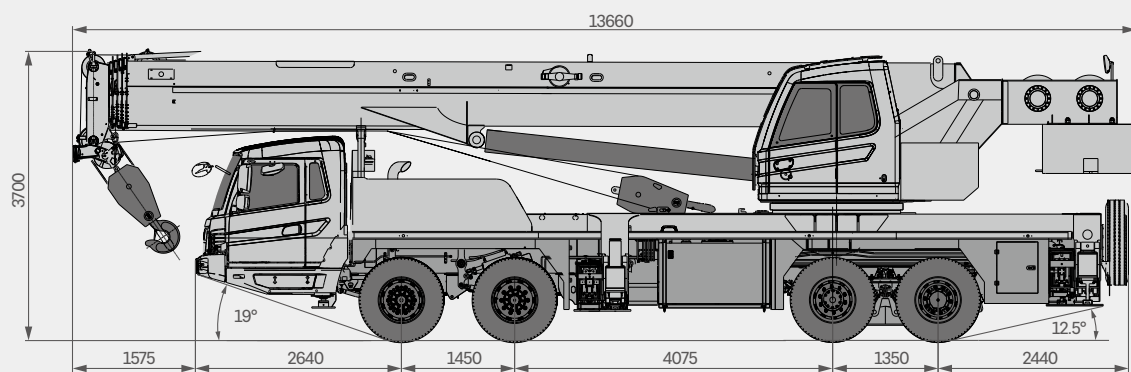
MachineLink+

ROOTCLOUD T-AMS Pro device comes as standard to realize GPS trajectory, machine status, maintenance management, E-fence, alarm management, and operator management on computer or mobile MachineLink+ platform, by remote control of cranes. This telematics package greatly boosts efficiency of customer fleet management and helps provide better after-sales services.

标配树根物联终端 T-AMS Pro, 通过对起重机设备的远程控制, 在电脑或移动端 MachineLink+ 平台实现轨迹回放、设备状态、维保设备、电子围栏、报警管理、操作手管理等功能, 极大提高客户设备管理效率, 提升三一售后服务能力。



Overall Dimensions 整机尺寸图



Technical Specification 主要性能参数

CATEGORY 类型	ITEM 项目	UNIT 单位	VALUE 参数	
CAPACITY 额定起重量	Max. lifting capacity 最大起重量	t	45	
WEIGHT 重量参数	Gross weight 整机总质量	kg	39000(without movable CW 不含活动配重)	
POWER 发动机参数	Engine model 发动机型号 (排放标准)	-	Weichai WP9H336E50(Euro V) 潍柴 WP9H336E50(欧 V)	
	Max. engine power 发动机最大功率	kW/rpm	247/1900	
	Max. engine torque 发动机最大输出扭矩	N·m/rpm	1600/1000-1400	
DIMENSIONS 尺寸参数	Overall length 整机全长	mm	13660	
	Overall width 整机全宽	mm	2650	
	Overall height 整机全高	mm	3700	
TRAVEL 行驶参数	Max. travel speed 最高行驶速度	km/h	90	
	Steering radius 转弯半径	Min. steering radius 最小转弯半径	m	12
		Min. steering radius of boom tip 臂头最小转弯半径	m	15.16
	Wheel formula 车轮模式	-	8 × 4 × 4	
	Min. ground clearance 最小离地间隙	mm	260	
	Approach angle 接近角	°	19	
	Departure angle 离去角	°	13	
	Max. gradeability 最大爬坡度	%	45	
	Fuel consumption per 100km 每 100 公里油耗	L	≤37	
MAIN PERFORMANCE 主要性能参数	Working temperature range 使用温度区间	°C	-25~+45	
	Min. rated lifting radius 最小额定幅度	m	2.5	
	Tail slewing radius 转台尾部回转半径	m	3.84	
	Boom sections (Qty.) 臂节数	-	5	
	Boom shape 臂形状	-	U shape U 形	
	Max. lifting moment 最大起重力矩	Basic boom 基本臂	kN·m	1600
		Full-extension boom 全伸主臂	kN·m	932
		Full-extension boom + jib 全伸主臂 + 副臂	kN·m	480
	Boom length 臂长	Basic boom 基本臂	m	11.3
		Full-extension boom 全伸主臂	m	44
		Full-extension boom + jib 全伸主臂 + 副臂	m	60
	Max. lifting height 最大起重高度	Basic boom 基本臂	m	11.8
		Full-extension boom 全伸主臂	m	44.5
Full-extension boom + jib 全伸主臂 + 副臂		m	60.5	
Outrigger span (Longitudinal × Transverse) 支腿跨距 (纵 × 横)	m	6.05 × 7.4		
Jib offset 副臂安装角度	°	0, 15, 30		
AIRCONDITIONER 空调	In operator's cab 上车空调	-	Heating & cooling 制冷、制热	
	In driver's cab 下车空调	-	Heating & cooling 制冷、制热	

Technical Parameters 主要参数表



Axle Load 轴荷

Axle 轴	1	2	3	4	Gross weight 总重量
Axle load 轴荷 /t	6.5	6.5	13	13	39
Remark 备注	Without movable CW 不含活动配重				



Hook 吊钩

Rated load 额载 /t	Number of sheaves 滑轮数量	Rope rate 倍率	Hook weight 吊钩重量 /kg
40	5	11	405
5	0	1	85



Operations 主要动作参数

Item 项目	Max. single rope lifting speed (empty load) 单绳速度 (空载)	Rope diameter/length 钢丝绳直径 / 长度	Max. single line pull 最大单绳拉力
Main winch 主卷扬	140m/min	16mm/210m	4.6t
Auxiliary winch 副卷扬	140m/min	16mm/130m	4.6t
Slewing speed 回转速度	2.5r/min		
Full luffing up/down time of boom 主臂起落幅时间	50s/60s		
Full extension/retraction time of boom 主臂伸缩时间	90s/130s		
Outrigger jack 垂直支腿	Retraction 收	20s	
	Extension 放	22s	
Outrigger beam 水平支腿	Retraction 收	20s	
	Extension 放	22s	

Crane Introduction 整机介绍

Carrier 下车

Driver's cab 驾驶室

- Integral steel structure cab in ergonomic design, featuring vibration reduction and external noise isolation.
- Driver's seat with headrest, three-point safety belt, adjustable steering wheel, large rear-view mirror, defroster, HVAC, stereo radio, and full set of instrument and controls, realizing safety and comfort.
- 全宽钢整体式钢结构驾驶室，采用人体工程学原理设计，减震性和封闭性优良。
- 配备舒适的驾驶座与副驾座、三点安全带、可调整式的转向盘、大视野后视镜、配有头枕的舒适驾驶椅、防雾扇、冷暖空调、立体收音机等，控制仪器和仪表齐全，更加舒适、安全、人性化。

Carrier frame 车架

- Designed and manufactured by Sany, the box-type structure is expanded in height and length, with its rigidity increased by 25%, featuring increased bearing capacity.
- 三一设计、制造，采用全新高强结构车架，车架加高加宽，刚性提升 25%，承载能力得到大幅提升。

Engine 发动机

- Model: Weichai WP9H336E50 inline six-cylinder diesel engine with watercooler and inter cooler.
- Emission standard: Euro V .
- Fuel reservoir capacity: 350L.
- 型式：潍柴 WP9H336E50，直列六缸、水冷却、增压中冷、柴油发动机。
- 排放标准：Euro V。
- 燃料箱有效容积：350L。

Transmission 变速箱

- 9-speed manual transmission with synchronizer, large speed ratio range, adaptable to slope climbing and high-speed traveling.
- 手动带同步器变速箱，9 挡，速比范围大，既可满足低速场地爬坡行驶，又可满足高速行驶。

Transmission shaft 传动轴

- Optimized layout, higher torque output via contrate gear connecting transmission shaft cardan.
- 优化的传动轴布置，传动轴传动平稳、可靠。最优化力传输，采用端面齿联结传动轴，传递扭矩大。

Axle 车桥

- Axles 1, 2 are steered; axles 3, 4 are drive axles with built-in differential lock, realizing tougher ability to rough-terrain travelling. Press-welding axle housing technology, bearing capacity is stronger.
- 1、2 轴为转向轴，3、4 轴为驱动轴，驱动轴 3、4 轴内置轮间、轴间差速器锁，使车辆有更强的脱困能力；驱动桥轮边油润滑，维护保养更加方便；冲焊桥壳工艺，承载能力更强。

Suspension system 悬挂

- The suspension of axle 1&2 are realized by leaf spring, and middle& rear axle rubber. The system's strength is verified by 100,000 cycling fatigue tests to ensure both strength and ride comfort.
- 一二轴采用独立式钢板弹簧悬挂系统，中后轴采用橡胶悬挂系统，悬挂系统经过超过 10 万次的疲劳试验，保证强度的同时兼顾乘坐的舒适性。

Steering 转向系统

- Equipped with recirculating ball-type steering gear, double circuit power steering.
- Mechanical steering with hydro booster of axle 1& 2.
- Steering mode: Highway driving mode.
- 配置循环球动力转向器，双回路系统液压转向装置。
- 1、2 桥采用液压助力机械转向控制。
- 转向模式：公路行驶模式。

Tires 轮胎

- 13 tires sized 12R22.5, strong bearing capacity and durability.
- 13（轮胎数）—轮胎规格：12R22.5，承载能力强，耐用。

Wheel formula 车轮模式

- 8 × 4 × 4.

Brake 制动系统

- The braking system includes service brake & parking brake & emergency brake & assisting brake.
- Service brake: adopting air servo and dual circuit.
- Parking brake: functioning at axles 3 and 4 by spring-loaded air chamber.
- Emergency brake: performed by accumulator releasing pressure.
- Assisting brake: engine exhaust brake, safety assured when driving down long slopes.
- 制动系统包括行车制动、驻车制动、应急制动和辅助制动。
- 行车制动采用双回路制动系统，所有车轮均用空气伺服制动器。
- 驻车制动是通过气室内弹簧作用在第三、四桥上。
- 应急制动阀由驻车制动兼做应急制动。
- 辅助制动为排气制动，保证在下长坡时的制动安全，保证行车的安全可靠。

Electrical system 电气系统

- 2*12V maintenance-free battery with a mechanical power switch. The bus control system connects the engine, gearbox, lighting, ABS brake system, communication, meter, man-machine interaction system, etc., to transmit multiple signals through a line to various instruments simultaneously. Simplified circuit provides convenience for maintenance and repair.
- 2 × 12V 免维护蓄电池，总线控制系统将发动机、变速箱、照明、ABS 制动系、通讯、仪表、人机交互等系统的连接线路，通过一条线路把多路且需要同时传输的信号传给不同的仪表或装置，简化线路，便于检修和保养。

Crane Introduction 整机介绍

Operator's cab 操纵室

- New operator's cab, new interior design, comfortable silicone bus panel within reach, and the new six channel air supply design of three-dimensional AC bring a more spacious and comfortable working environment. It adopts corrosion-resistant steel plate, safety glass, panoramic skylight, adjustable seat, full view of front window, humanized design such as water cup holder, sundries, mobile phone storage box and dual USB charging ports, and electric wiper, making operation more comfortable and easier. The standard 7 inch color display screen is used to realize the logic integration of the console and the operation display system, so that all the working data can be seen at a glance.
- 全新操纵室，全新内饰设计，触手可及的舒适硅胶总线面板，全新立体空调 6 通道送风设计，带来更宽敞舒适的作业环境，采用耐腐蚀钢板，安全玻璃，全景式天窗、可调式座椅、前窗视野全开、布置水杯架、杂物盒、手机置物盒、双 USB 充电口等人性化设计，电动雨刮器，操作更舒适、轻松；标配 7 寸彩色显示屏，实现主控台与操作显示系统有机结合，使吊装作业的全部工况数据一目了然。

Boom & telescoping system 伸缩系统

- The boom structure adopts high strength steel plate and five U-shaped sections with high stability; Full-extension length of boom is 44m, jib length of 16m, lifting height of full-extension boom is 44.5m, max. lifting height of boom+jib is 60.5m; boom telescopes via double cylinder with rope arranger.
- 五节臂，全伸臂长 44m，副臂 16m，主臂全伸起升高度 44.5m，带副臂最大起升高度 60.5m。由高强度焊接结构钢制成，U 形大截面，双缸 + 绳排伸缩方式。

Hoist 起升系统

- It adopts piston motor, high efficiency at high speed, low noise and stable at low speed. The max. Single rope speed of main and auxiliary winch is 130m/min.
- The normally closed winch brake, the winch balance valve and the unique anti slip hook technology are perfectly integrated, and the lifting and landing is stable.
- 卷扬采用柱塞马达，高速效率高，低速稳定噪音小，主副卷扬单绳最大速度达 130m/min。

Luffing system 变幅系统

- Passive luffing down.
- 采用自重落幅系统。

Hydraulics 液压系统

- The all new smart double pump flow system lifts maneuverability of combined motions by 50%. The boom can luff at shunting mode and telescope at confluence mode.
- Load sensitive system, main pump adopts dual piston variable pump with energy saving and high efficiency. Load sensitive variable piston pump can adjust the oil pump displacement in real time, to achieve high-precision flow control, greatly reduce the energy loss.
- Main valve functions flow compensation and load feedback control, which can easily realize the stable control of single motion and combined motions under various working conditions.
- 采用全新开发双泵智能流量分配系统，变幅独立，伸臂合流，复合动作操作性提升 50% 以上。
- 采用负载敏感系统，主泵采用双联柱塞变量泵，节能高效。采用负载敏感变量柱塞泵，能实时调节油泵排量，实现高精度的流量控制，极大的降低能量损耗。
- 主阀具备流量补偿、负载反馈控制功能，能在各种工况下，轻松实现单个动作和组合动作的稳定控制。

Slewing 回转系统

- Integrated slewing buffer valve with free swing function. Smooth slewing start& control with excellent inching performance.
- 回转系统带集成回转缓冲阀，具有自由滑转功能，回转启动和控制平稳，微动性卓越。

Crane Introduction 整机介绍



Control system 控制系统

- Bus instrument: integrated control electrical system bus instrument can control the driving parameters at any time, easy to drive. At the same time, it has the function of engine fault prompting, which is convenient and quick for maintenance. Main winch and auxiliary are equipped with A2B switch to prevent the wire rope from over winding.
- Load moment indicator: highly intelligent moment limiter system, protection in all aspect of lifting operation, to ensure accurate, stable and comfortable operation.
- Superstructure with color display screen, the basic interface shows boom length, boom angle, luffing, wire rope rate, engine speed, hook selection, etc., easy to understand, also added I/O interface and other functions, can quickly reflect the working condition of the vehicle system.
- Using fault self-diagnosis system to diagnosis superstructure electrical, hydraulic action, chassis (for major safety faults), engine and gearbox fault detection, to ensure the crane reliable work.
- 总线仪表: 采用集成一体智能控制电气系统的总线仪表, 可随时掌控行驶参数, 驾乘轻松; 同时, 拥有发动机故障提示功能, 维修排故方便、快捷; 全方位的安全保护系统, 主、副卷扬配置三圈保护器和高度限位器, 防止钢丝绳过放和过卷, 防倾翻保护, 极限角度保护。
- 力矩限制器: 采用高度智能力矩限制器系统, 全方位保护吊载作业, 确保操作精准、平稳、舒适。
- 上车采用标配彩色显示屏, 基本界面上显示有臂长、仰角、工作幅度、倍率大小、发动机转速、吊钩选择等, 丰富易懂, 还增设 I/O 界面等多项功能, 能快速反映整车系统的工作状况。
- 故障自诊断系统, 利用故障诊断系统对上车电气、液压动作、底盘 (针对重大安全故障)、发动机及变速箱等故障进行检测, 以保证起重机可靠工作。



Outrigger 支腿

- H-type layout, four point support with high strength steel plate, span (longitudinal × transverse) of 6.05m × 7.4m, easy to operate. Outriggers telescoping at horizontal directions using rope arranger. Jack cylinder adopts two-way holding valve for safety protection.
- H 型支腿 4 点支撑, 纵、横跨距 6.05m × 7.4m, 易操作、稳定性强; 采用细晶粒高强度钢板材料, 一、二级支腿油缸加绳排横向伸缩。垂直油缸采用双向液压锁进行安全保护。



Counterweight 配重

- Fixed counterweight 6t, movable counterweight 2.5t.
- 固定配重 6t+ 副配重 2.5t。



Safety equipment 安全装置

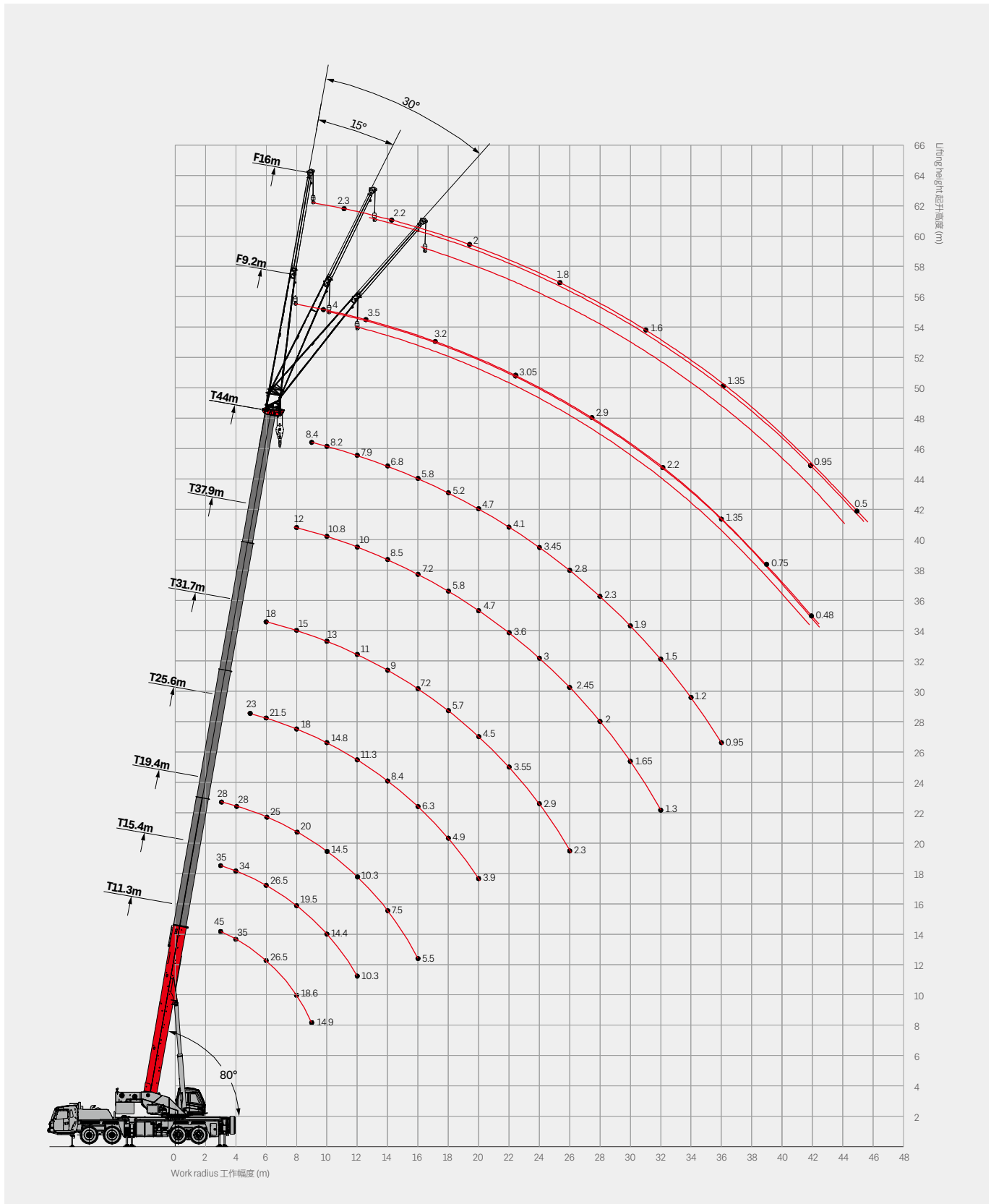
- Load moment indicator: A method of analytical mechanics is adopted and a moment limiter calculation system based on the hoisting mechanics model is established. Through online empty-load calibration, the rated hoisting accuracy can reach ± 3% to fully protect the hoisting operation. In case of overload, the system will automatically give an alarm to provide safety guarantee for operation.
- The main and auxiliary hoists are equipped with three-circle protectors to prevent over-hoist-down of the wire rope.
- Boom head and jib head are equipped with A2B switch to prevent the wire rope from over winding.
- The length & angle sensor and pressure sensor are equipped with to display the operating status of the crane in real time, automatically cut off dangerous actions, and give a buzzer alarm.
- 力矩限制器: 采用分析力学方法, 建立了基于吊重力学模型的力矩限制器计算系统, 通过在线空载标定, 额定吊重精度达到 3%, 全方位保护吊载作业; 超载作业时, 系统自动报警提示, 为操纵作业提供安全保障; 液压系统配置液压平衡阀、溢流阀、双向液压锁等元件, 实现液压系统稳定可靠。
- 主、副卷扬配置三圈保护器, 防止钢丝绳过放。
- 主、副臂端配置高度限位器, 防止钢丝绳过卷。
- 配置长度角度传感器、压力传感器, 实时显示起重机作业状态, 自动切断危险动作, 蜂鸣报警。



Optional equipment at extra fees 选配

- Anemometer.
- Special painting.
- Other equipment available upon request.
- 风速仪。
- 特殊涂装。
- 其他配置视需求定。

Operating Range 起升高度



Load Chart-Telescopic Boom 主臂性能表



Unit: kg

Radius (m) 幅度	11.3	15.4	19.4	25.6	31.7	37.9	44	17.4	23.6	29.7	35.8	21.5	27.6	33.8	39.9	Radius (m) 幅度
2.5	45000															2.5
3	43000	35000														3
3.5	36000	34500	28000					23000								3.5
4	35000	34000	28000					23000	22000			23000				4
4.5	34000	33000	28000					23000	21500			23000				4.5
5	32500	31500	27200	23000				23000	21000			22500	19000			5
5.5	29700	28500	26000	22000	19000			23000	20000	16000		22000	18000			5.5
6	26500	26500	25000	21500	18000			23000	19800	15000		21000	17500	13000		6
7	22000	22000	22200	20500	16500	13000		22200	18500	14000	11000	20000	17000	12500		7
8	18600	19500	20000	18000	15000	12000		20000	17900	13000	10000	18500	16000	12000		8
9	14900	16500	17000	16000	14000	11500	8400	17000	16300	12500	9500	15700	15500	11300	8400	9
10		14400	14500	14800	13000	10800	8200	15600	15000	10800	9000	14000	14000	10800	8000	10
12		10300	10300	11300	11000	10000	7900	11900	12700	9400	7700	10800	10500	9600	7700	12
14			7500	8400	9000	8500	6800	9200	9600	8150	7000	8200	8300	8200	7000	14
16			5500	6300	7200	7200	5800		7600	7300	6200	6600	6600	6500	6200	16
18				4900	5700	5800	5200		6200	6400	5600	5200	5300	5400	5400	18
20				3900	4500	4700	4700			5300	5100		4400	4400	4500	20
22					3550	3600	4100			4350	4500		3500	3600	3700	22
24					2900	3000	3450			3700	3950			3000	3000	24
26					2300	2450	2800				3300			2500	2650	26
28						2000	2300				2850			2000	2150	28
30						1650	1900				2400				1800	30
32						1300	1500								1450	32
34							1200								1250	34
36							950									36
38																38
40																40
Telescoping status(%) 伸缩模式																
Cylinder I 油缸 I	0	50	100	100	100	100	100	0	0	0	0	50	50	50	50	Cylinder I 油缸 I
Cylinder II 油缸 II	0	0	0	25	50	75	100	25	50	75	100	25	50	75	100	Cylinder II 油缸 II
Rope rate 钢丝绳倍率	11	10	8	6	5	4	3	6	6	4	3	6	5	4	3	Rope rate 钢丝绳倍率

Remark:

Wind speed ≤32km/h, safe work.

Wind speed 33-47km/h, load shall be reduced to 40% of rated capacity.

Wind speed ≥48km/h, boom is not allowed to luff up.

备注:

风速 ≤32km/h, 安全风速。

风速 33-47km/h, 允许按额载 40% 作业。

风速 ≥48km/h, 禁止起臂。

Load Chart-Telescopic Boom 主臂性能表



Unit: kg

Radius (m) 幅度	11.3	15.4	19.4	25.6	31.7	37.9	44	17.4	23.6	29.7	35.8	21.5	27.6	33.8	39.9	Radius (m) 幅度
3	35000	35000														3
3.5	33000	32000	26000					22000								3.5
4	31000	28000	24000					21500	20000			21000				4
4.5	23500	22000	22000	20000				21000	19000			20000				4.5
5	18000	17000	16500	18000				19000	18000			18000	18000			5
5.5	15000	14000	13000	14000	15000			15000	15500	12000		15000	16000			5.5
6	12000	11500	11000	11500	12500			12000	12500	11500		12000	13500	11500		6
7	9000	9500	8000	8500	9000	9000		9500	9000	9000	10000	9000	9000	9500		7
8	7000	6500	6000	6700	7000	7000		7500	7200	7300	7600	7000	7000	7500	7000	8
9	5500	5000	4600	5700	5300	5800	5500	6000	6000	6000	6000	5500	5600	6000	6000	9
10		3500	3200	3800	4000	4100	4300	4700	4700	5000	5000	4400	4700	4700	5000	10
12		2500	2200	3100	3000	3200	3200	3500	3400	3500	3800	3000	3200	3300	3500	12
14			1300	1800	2000	2300	2300	2500	2500	2500	2800	2000	2100	2400	2500	14
16				1100	1300	1500	1500		1800	2000	2000	1300	1500	1700	1700	16
18					800	1000	1000		1300	1400	1400		1100	1200	1300	18
20							800		900	1000	1100			800	800	20
22											800					22
24																24
26																26
28																28
30																30
Telescoping status(%) 伸缩模式																
Cylinder I 油缸 I	0	50	100	100	100	100	100	0	0	0	0	50	50	50	50	Cylinder I 油缸 I
Cylinder II 油缸 II	0	0	0	25	50	75	100	25	50	75	100	25	50	75	100	Cylinder II 油缸 II
Rope rate 钢丝绳倍率	10	10	7	5	4	3	3	6	5	3	3	6	5	3	3	Rope rate 钢丝绳倍率

Remark:

Wind speed ≤32km/h, safe work.

Wind speed 33-47km/h, load shall be reduced to 40% of rated capacity.

Wind speed ≥48km/h, boom is not allowed to luff up.

备注:

风速 ≤32km/h, 安全风速。

风速 33-47km/h, 允许按额定载 40% 作业。

风速 ≥48km/h, 禁止起臂。

Load Chart-Jib 副臂性能表



Unit: kg

Boom angle (°) 主臂仰角	44m+9.2m			44m+16m			Boom angle (°) 主臂仰角
	0°	15°	30°	0°	15°	30°	
80	4000	2900	2200	2300	1400	1050	80
78	3500	2800	2100	2200	1350	950	78
75	3200	2500	2000	2000	1200	900	75
72	3050	2200	1850	1800	1100	840	72
70	2900	2000	1800	1600	1000	800	70
65	2200	1600	1550	1350	900	720	65
60	1350	1100	950	950	750	670	60
55	750	650	580	500	400		55
50	480	400					50

Remark:

1. Value listed are the max. capacity when the crane is in a level condition on solid ground or surface.
2. Radius refers to actual radius with boom deflection considered.
3. Value above are calculated with hooks and lifting slings considered (405kg main hook block, 85kg aux. hook block).
4. When the fifth outrigger is landed in position, value listed are applicable for 360 degree operation.
5. Rated lifting performance on boom point sheave equals 4000kg; boom load capacity shall be 450kg less than value given when jib unfolds.
6. Load value is given according to the larger radius or boom length value when the actual radius or boom length falls between two numbers above.

备注:

- 1、起重性能表中给定数值是在平整坚固的地面上，整机调平状态下起重机的额定起重量。
- 2、起重性能表中工作幅度是指吊载后的实际幅度。
- 3、起重性能表中额定起重量包括起重钩（主起重钩重 405kg，副起重钩重 85kg）和吊具的重量。
- 4、打开好第五支腿时，表中数值适用于全方位（360°）作业。
- 5、使用臂尖滑轮时额定起重量不超过 4000kg。若副起重臂处于展开状态，主臂起吊的额定起重量应减少 450kg。
- 6、如果实际臂长和幅度介于两个数值之间时，取较长的臂长及较大的幅度所决定的额定起重量进行起吊作业。



SANY GROUP CRANE BU

SANY Mobile Crane Industrial Park, No.168 Jinzhou Avenue, Jinzhou Development Zone, Changsha City,
Hunan Province, P.R. China Zip 410600
Consulting sanycrane@sanygroup.com (Crane BU) / crd@sany.com.cn (IHQ)
After-sales Service 0086-400 6098 318

Reminder:

Any change in the technical parameters and configuration due to product modification or upgrade may occur without prior notice. The machine in the picture may include additional equipment. This brochure is for reference only, and goods in kind shall prevail.

Copyright at SANY. No part of this brochure may be copied or used for any purpose without written approval from SANY.

© Edited in March 2022

三一集团起重事业部

中国湖南长沙金洲开发区金洲大道 168 号 三一汽车起重机产业园 邮编: 410600
咨询: sanycrane@sanygroup.com (重起事业部) / crd@sany.com.cn (国际总部)
海外售后服务: 0086-400 6098 318

温馨提示:

由于技术不断更新, 技术参数及配置如有更改, 恕不另行通知。图中机器可能包括附加设备, 本画册仅供参考, 以实物为准。
版权为三一所有, 未经三一书面许可, 本画册任何内容不得被复制用于任何目的。

© 2022 年 3 月版

