

# SY95C

## PRODUCT SPECIFICATIONS

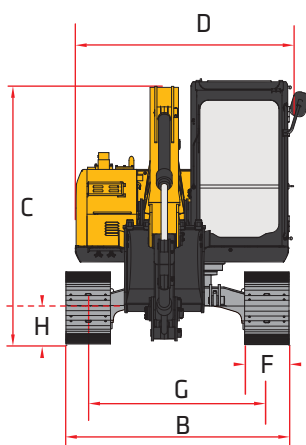
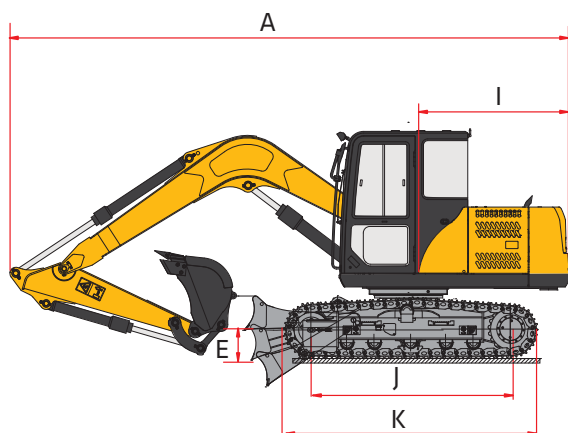


### STANDARD FEATURES

- Powerful, robust and reliable powertrain & hydraulic components for long life in the most demanding applications
- Optimized load sensing hydraulics improve operating efficiency by up to 5% and fuel efficiency by up to 10%
- ➔ **Gross Power**  
53.7 kW / 72.0 HP
- ➔ **Dig Depth**  
4330 mm / 14' 2"
- ➔ **Operating Weight**  
9200 kg / 20,282 lb
- ➔ **Bucket Breakout**  
64.6 kN / 14,522 lbf

# SY95C || PRODUCT SPECIFICATIONS

## DIMENSIONS



## DIMENSIONS

Boom Length	3920 mm	12' 10"
Stick (Arm) Length	1700 mm	5' 7"
A Transport Length	6566 mm	21' 6"
B Transport Width	2260 mm	7' 5"
C Transport Height	2651 mm	8' 8"
D Upper Structure Width	2160 mm	7' 1"
E Blade Height	380 mm	15"
F Track Width (standard shoe)	450 mm	18"
G Track Gauge	1810 mm	5' 11"
H Ground Clearance (minimum)	340 mm	13"
I Tail Swing Radius	1840 mm	6'
J Track Length on Ground	2340 mm	7' 8"
K Track Length	2983 mm	9' 9"

Powerful, robust and reliable powertrain and hydraulic components

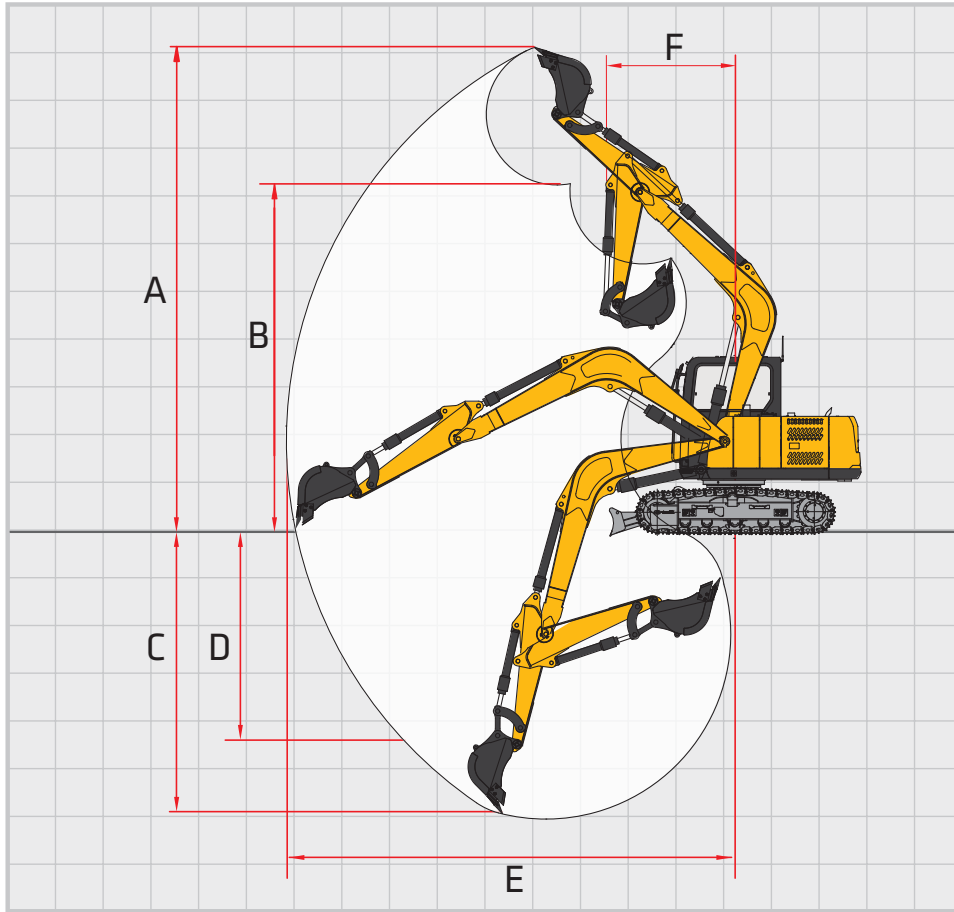
## TECHNICAL SPECIFICATIONS

Operating Weight	9200 kg	20,2382 lb
Ground Pressure	37 kPa	5.37 psi
<b>Engine</b>	Yanmar 4TN98CT-VSY	
Displacement	3.318 L	202.5 in <sup>3</sup>
Gross Power	53.7 kW	72.0 HP
<b>Hydraulics</b>	Load Sensing with Pilot Control	
Main Hydraulic Pump	Axial Piston - Variable Displacement	
Operating Flow (maximum)	199.5 L/min	52.7 gal/min
Operating Pressure (maximum)	26.3 MPa	3814 psi
<b>Travel Motor</b>	Axial Piston with Park Brake	
Travel Pressure (maximum)	26.3 MPa	3814 psi
Travel Speeds (maximum)	3.0/ 5.0 km/hr	1.86 / 3.1 mph
Travel Effort (maximum)	83.0 kN	18,659 lbf
Grade Capability (maximum)	35°	
<b>Swing Motor</b>	Axial Piston with Swing Brake	
Swing Pressure (maximum)	21.5 MPa	3118 psi
Swing Speed (maximum)	13.61 RPM	
<b>Undercarriage</b> (standard)	Steel Track	
Track Shoe width (standard)	450 mm	18"
Track Rollers (per side)	5	
Carrier Rollers (per side)	1	

## SERVICE REFILL CAPACITIES

Fuel Tank Capacity	240.0 L	63.4 gal
Hydraulic Tank Capacity	127.0 L	33.5 gal
Engine Oil Capacity	10.2 L	2.7 gal
Cooling System Capacity	8 L	2.1 gal

## WORKING RANGE



### WORKING RANGE

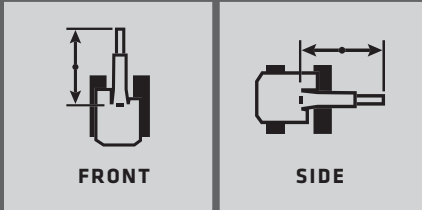
Boom Length	3920 mm	12' 10"
Stick (Arm) Length	1700 mm	5' 7"
A Maximum Digging Height	7146 mm	23' 5"
B Maximum Dumping Height	5090 mm	16' 8"
C Maximum Digging Depth	4330 mm	14' 2"
D Maximum Vertical Wall Digging Depth	2400 mm	7' 10"
E Maximum Reach at Ground Level	6780 mm	22' 3"
F Minimum Swing Radius	3450 mm	11' 4"

### DIGGING PERFORMANCE

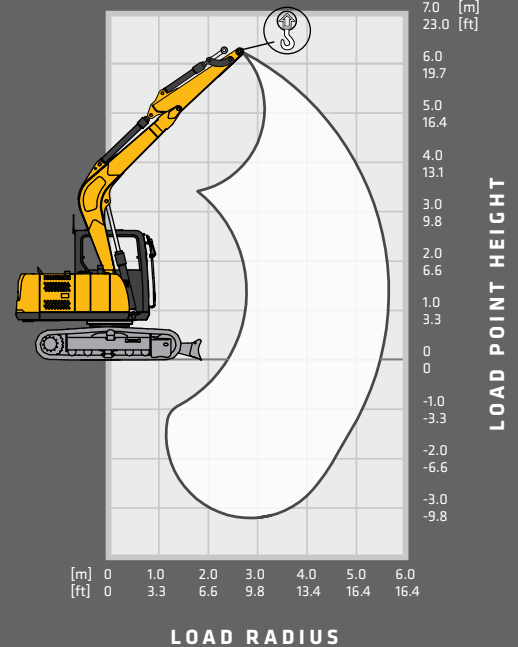
Boom Length	3920 mm	12' 10"
Stick (Arm) Length	1700 mm	5' 7"
Bucket Breakout Force (ISO)	64.6 kN	14,523 lbf
Stick (Arm) Digging Force (ISO)	53.5 kN	12,027 lbf

# SY95C || LIFTING PERFORMANCE

Standard 3920 mm (12'10") Boom  
 Standard 1700 mm (5'7") Arm  
 Standard 450 mm (18") Track Shoes  
 No Bucket



Ratings are based on ISO 10567:2007.  
 Lift capacity does not exceed 75% of tipping load with the machine on firm, level ground or 87% of hydraulic lifting capacity.



## BLADE DOWN

LOAD RADIUS	2.0 m 6.6 ft		3.0 m 9.8 ft		4.0 m 13.1 ft		5.0 m 16.4 ft		MAX REACH	
LOAD POINT HEIGHT										
5.0 m 15.4 ft					2200 kg* 4,850 lb*	2000 kg 4,409 lb			2250 kg* 4,960 lb*	2000 kg 4,409 lb
4.0 m 13.1 ft			2400 kg* 5,291 lb*	2400 kg* 5,291 lb*	2200 kg* 4,850 lb*	2000 kg 4,409 lb			2200 kg* 4,850 lb*	1950 kg 4,299 lb
3.0 m 9.8 ft			2900 kg* 6,393 lb*	2900 kg* 6,393 lb*	2450 kg* 5,401 lb*	1950 kg 4,299 lb	2250 kg* 4,960 lb*	1350 kg 2,976 lb	2200 kg* 4,850 lb*	1550 kg 3,417 lb
2.0 m 6.6 ft			3600 kg* 7,937 lb*	3000 kg 6,614 lb	2750 kg* 6,063 lb*	1850 kg 4,079 lb	2350 kg* 5,181 lb*	1350 kg 2,976 lb	2250 kg* 4,960 lb*	1400 kg 3,086 lb
1.0 m 3.3 ft			4100 kg* 9,039 lb*	2800 kg 6,173 lb	3050 kg* 6,724 lb*	1750 kg 3,858 lb	2500 kg* 5,512 lb*	1300 kg 2,866 lb	2300 kg* 5,070 lb*	1300 kg 2,866 lb
0 m 0 ft			4300 kg* 9,480 lb*	2750 kg 6,063 lb	3200 kg* 7,055 lb*	1700 kg 3,748 lb	2550 kg* 5,622 lb*	1250 kg 2,756 lb	2400 kg* 5,291 lb*	1350 kg 2,976 lb
-1.0 m -3.3 ft	5800 kg* 12,787 lb*	5450 kg 12,015 lb	4150 kg* 9,149 lb*	2700 kg 5,952 lb	3200 kg* 7,055 lb*	1650 kg 3,638 lb			2450 kg* 5,401 lb*	1550 kg 3,417 lb
-2.0 m -6.6 ft	5100 kg* 11,244 lb*	5100 kg* 11,244 lb*	3700 kg* 8,157 lb*	2750 kg 6,063 lb	2800 kg* 6,173 lb*	1700 kg 3,748 lb			2500 kg* 5,511 lb*	2050 kg 4,519 lb
-3.0 m -9.8 ft	3800 kg* 8,378 lb*	3800 kg* 8,378 lb*	2650 kg* 5,842 lb*	2650 kg* 5,842 lb*					2700 kg* 5,952 lb*	2600 kg 5,732 lb

\* Indicates load limited by hydraulic lifting capacity

## BLADE UP

LOAD RADIUS	2.0 m 6.6 ft		3.0 m 9.8 ft		4.0 m 13.1 ft		5.0 m 16.4 ft		MAX REACH	
LOAD POINT HEIGHT										
5.0 m 15.4 ft					2200 kg* 4,850 lb*	2000 kg 4,409 lb			2050 kg 4,519 lb	2000 kg 4,409 lb
4.0 m 13.1 ft			2400 kg* 5,291 lb*	2400 kg* 5,291 lb*	2200 kg* 4,850 lb*	2000 kg 4,409 lb			2000 kg 4,409 lb	1950 kg 4,299 lb
3.0 m 9.8 ft			3000 kg* 6,614 lb*	3000 kg* 6,614 lb*	2450 kg* 5,401 lb*	1900 kg 4,189 lb	2250 kg* 4,960 lb*	1350 kg 2,976 lb	1600 kg 3,257 lb	1550 kg 3,417 lb
2.0 m 6.6 ft			3600 kg* 7,937 lb*	2800 kg 6,173 lb	2750 kg* 6,063 lb*	1800 kg 3,968 lb	2350 kg* 5,181 lb*	1300 kg 2,866 lb	1400 kg 3,086 lb	1400 kg 3,086 lb
1.0 m 3.3 ft			4100 kg* 9,039 lb*	2600 kg 5,732 lb	3050 kg* 6,724 lb*	1750 kg 3,858 lb	2500 kg* 5,512 lb*	1250 kg 2,756 lb	1350 kg 2,976 lb	1300 kg 2,866 lb
0 m 0 ft			4300 kg* 9,480 lb*	2500 kg 5,512 lb	3200 kg* 7,055 lb*	1650 kg 3,638 lb	2550 kg* 5,622 lb*	1200 kg 2,646 lb	1400 kg 3,086 lb	1350 kg 2,976 lb
-1.0 m -3.3 ft	5800 kg* 12,787 lb*	5200 kg 11,464 lb	4150 kg* 9,149 lb*	2500 kg 5,512 lb	3150 kg* 6,945 lb*	1650 kg 3,638 lb			1600 kg 3,257 lb	1550 kg 3,417 lb
-2.0 m -6.6 ft	5100 kg* 11,244 lb*	5100 kg* 11,244 lb*	3700 kg* 8,157 lb*	2500 kg 5,512 lb	2750 kg* 6,063 lb*	1650 kg 3,638 lb			2100 kg 4,269 lb	2050 kg 4,519 lb
-3.0 m -9.8 ft	3800 kg* 8,378 lb*	3800 kg* 8,378 lb*	2650 kg* 5,842 lb*	2650 kg* 5,842 lb*					2700 kg* 5,952 lb*	2600 kg 5,732 lb

\* Indicates load limited by hydraulic lifting capacity